

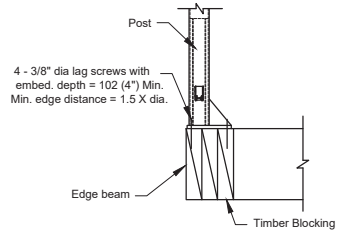
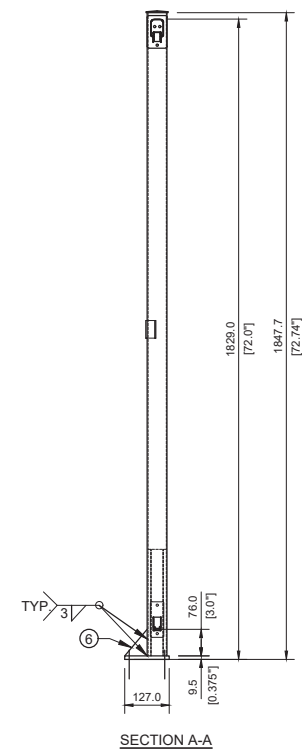
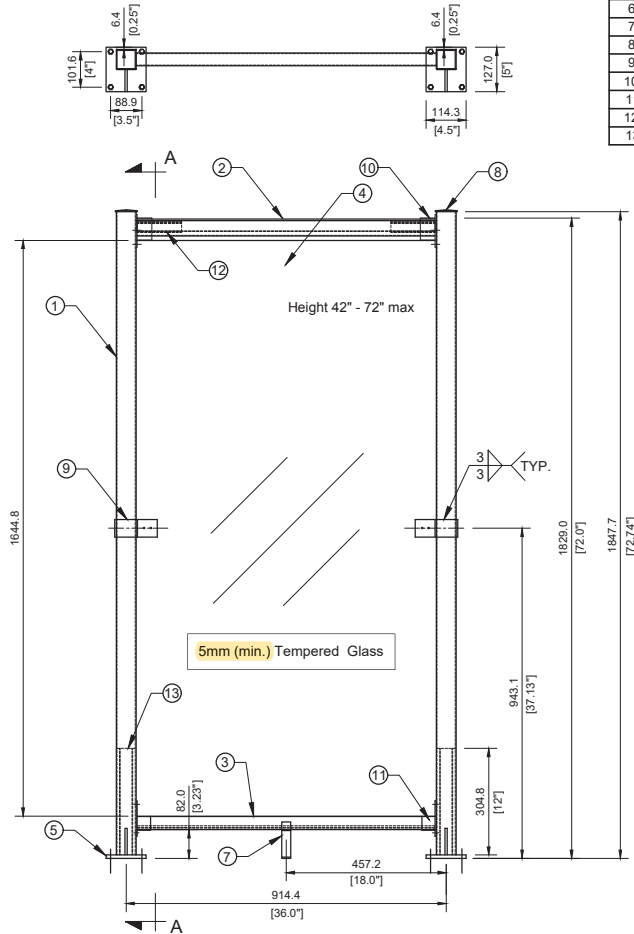


25 SEP 2023

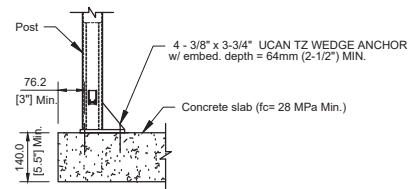


25 SEP 2023

MARK	DESCRIPTION	PROFILE	MATERIAL	LENGTH	WEIGHT (kg)	QTY	TOTAL WT.
1	Post	HSS 57.15X57.15X2.5	6061 - T6	1838.2	3.50	2	7.00
2	Top rail	-	6061 - T6	851.3	0.87	1	1.92
3	Bottom rail	-	6061 - T6	851.3	0.38	1	0.38
4	Glass	5 x 851 x 1684.8	Tempered glass conform to CAN/CSG-12-M90	-	-	1	-
5	Mounting plate	PL 9.5 x 114.3	6061 - T6	127	0.37	2	0.74
6	Stiffener plate	PL 6.35 x 63.5	6061 - T6	76	0.10	2	0.20
7	Support leg	PL 3	6061 - T6	25.4	0.04	1	0.04
8	Post cap	-	6063 - T5	-	0.04	2	0.08
9	Clip	PL 3.18 x 50.8	6061 - T6	122.1	0.065	2	0.13
10	Top rail bracket	-	6061 - T6	-	0.09	2	0.18
11	Bott. rail bracket	-	6061 - T6	-	0.054	2	0.11
12	Top rail insert	-	6061 - T6	-	0.077	2	0.15
13	Post insert	-	6061 - T6	305	0.30	2	0.60
							11.53



TYPICAL TOP MOUNTED DETAIL ON TIMBER FLOOR



TYPICAL TOP MOUNTED DETAIL ON CONCRETE FLOOR



23 09 25
YR. MN. DAY



25 SEP 2023

No	DATE	REVISIONS	DRAWN	CHECK
4	25 SEP 2023	REVISED AS CLOUDED	EY	EG
3	25 MAY 2022	CHANGING GLASS THICKNESS TO 5mm	EY	EG
2	21 JAN. 2020	ADDING EDGE DISTANCE NOTE	EY	EG
1	23 SEP. 2019	STIFFENER AND INSERT LENGTH ARE REVISED	EY	EG
0	20 OCT. 2018	ISSUED FOR FABRICATION	EG	EG

Drawing prepared by:

554 Silverado, SW, Calgary, AB
Phone: (403) 617-4801
ehab.girgis@gplusengineering.com
www.gplusengineering.com

Client :
Home-Rail Ltd.

Drawing Title :
WIND WALL GLASS - 72" HIGH TOP MOUNTED

Scale : NTS	Drawing No. H4-1	REV. 4
Project No. : 2221		